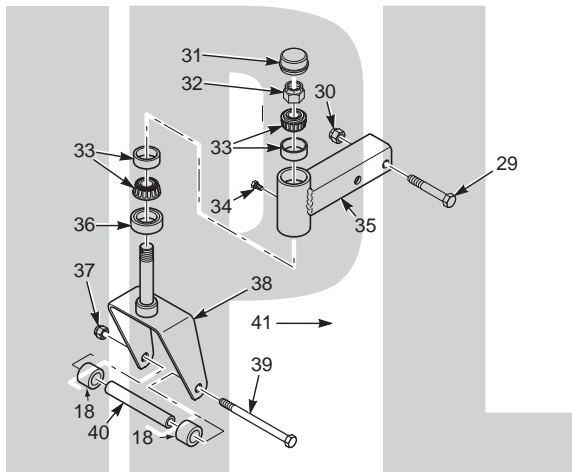


SCAG[®]

POWER EQUIPMENT



ILLUSTRATED PARTS MANUAL



Model STC Tiger Cat

THIS MANUAL CONTAINS THE ILLUSTRATED PARTS LIST FOR MODELS:

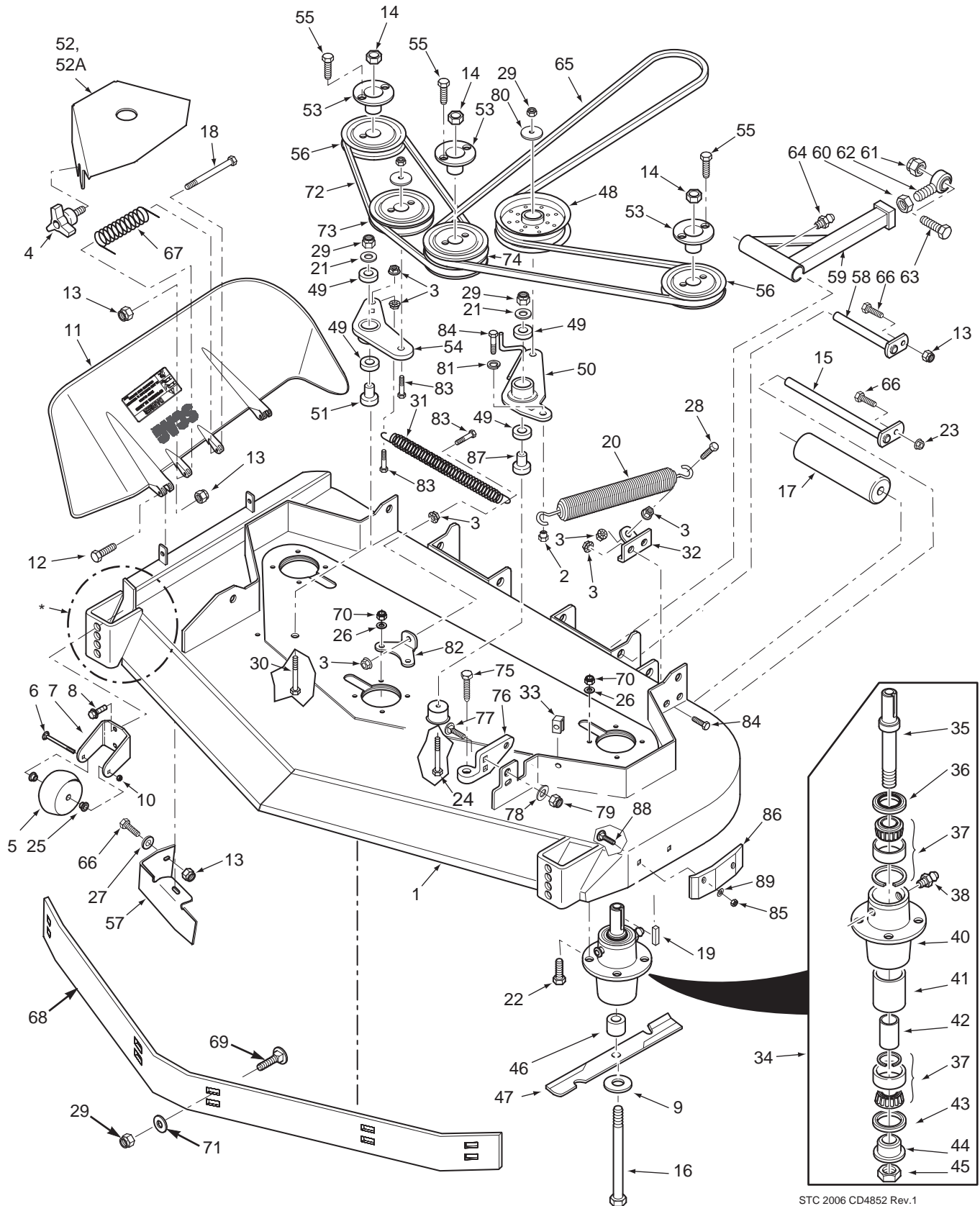
**STC48V-19KAI
STC48V-23CV
STC48V-26BS
STC52V-25CV
STC61V-25CV
SMTc-48V
SMWC-52V
SMWC-61V**

**with a serial number of E4600001 to E4699999
with a serial number of E4700001 to E4799999
with a serial number of E4800001 to E4899999
with a serial number of E4900001 to E4999999
with a serial number of E5000001 to E5099999
with a serial number of D9100001 to D9199999
with a serial number of D9200001 to D9299999
with a serial number of D9300001 to D9399999**

Table of Contents

| | |
|---|----|
| 48V & 52V CUTTER DECKS | 2 |
| 61V CUTTER DECK..... | 4 |
| CUTTER DECK CONTROLS | 6 |
| SHEET METAL COMPONENTS | 8 |
| STC FOLDABLE ROLL-OVER PROTECTION SYSTEM | 10 |
| DRIVE SYSTEM COMPONENTS | 12 |
| ENGINE & ATTACHING PARTS..... | 14 |
| STEERING COMPONENTS..... | 16 |
| BRAKE COMPONENTS | 18 |
| FUEL AND HYDRAULIC SYSTEM..... | 20 |
| ELECTRICAL SYSTEM | 22 |
| BDP-10A HYDRAULIC PUMP ASSEMBLY..... | 24 |
| REPLACEMENT DECALS AND INFORMATION PLATES | 26 |
| ELECTRICAL SCHEMATIC | 28 |

48V & 52V CUTTER DECKS



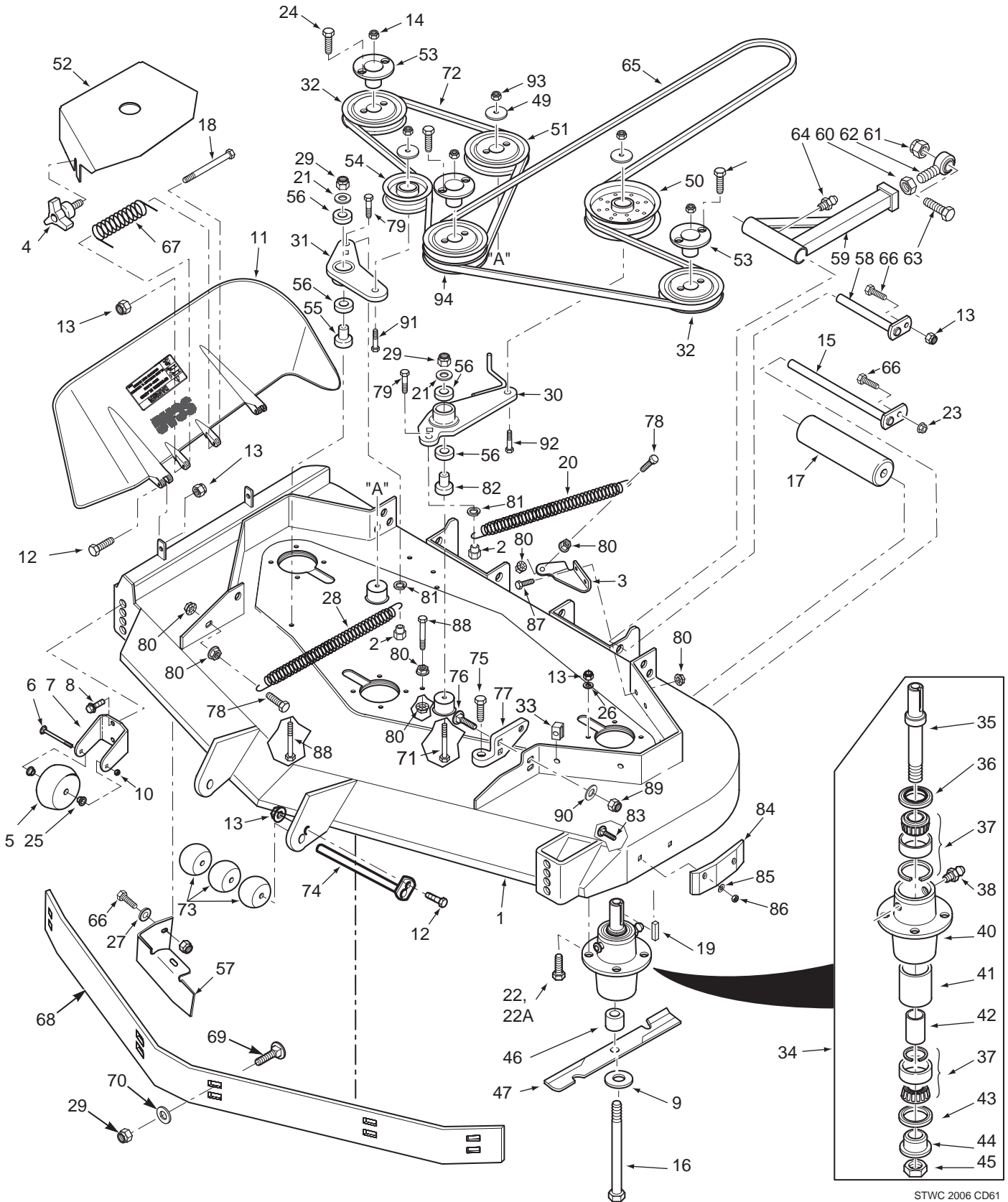
STC 2006 CD4852 Rev.1

* 52" cutter deck has a notch for anti-scalp roller

48V & 52V CUTTER DECKS

| Ref. No. | Part No. | Description | 48 | 52 | Ref. No. | Part No. | Description | 48 | 52 |
|----------|-----------|--|----|----|----------|-----------|--------------------------------------|----|----|
| 1 | 461854 | Cutter Deck Velocity Plus | X | | 51 | 43689 | Idler Pivot | X | X |
| | 461858 | Cutter Deck Velocity Plus | | X | 52 | 424322 | Belt Cover (48V) | X | |
| 2 | 43686 | Boss, Spring Anchor | X | X | | 424323 | Belt Cover (52V) | | X |
| 3 | 04019-04 | Nut, 3/8-16 Serrated Flange | X | X | 53 | 48926 | Hub, Tapered 1-1/8" Bore | X | X |
| 4 | 481625-01 | Wing Nut, 3/8-16 | X | X | 54 | 461946 | Idler Arm | X | X |
| 5 | 481632 | Anti-Scalp Wheel | X | X | 55 | 04001-172 | Bolt, Hex Head 1/4-20 x 1" Grade 8 | X | X |
| 6 | 04003-26 | Bolt, Carriage 3/8-16 x 4" | X | X | 56 | 483282 | Pulley 4.75" | X | |
| 7 | 422478 | Bracket, Anti-Scalp Wheel | X | X | | 483284 | Pulley 5.35" | | X |
| 8 | 04017-27 | Bolt, Serrated Flange 3/8-16 x 1" | X | X | 57 | 424208 | Turbo Baffle, Bolt On | X | X |
| 9 | 04043-06 | Flatwasher, 5/8" Hardened | X | X | 58 | 451240 | Push Arm Shaft | X | X |
| 10 | 04021-05 | Locknut, 3/8-16 Center Lock | X | X | 59 | 461516 | Push Arm (Includes 64,60,62) | X | X |
| 11 | 461844 | Discharge Chute | X | | 60 | 04020-16 | Nut, 5/8-18 UNF | X | X |
| | 461845 | Discharge Chute | | X | 61 | 04021-13 | Nut, Elastic Stop 5/8-11 | X | X |
| 12 | 04001-11 | Bolt, Hex Head 5/16-18 x 1-1/2", Rear | X | X | 62 | 48763 | Rod End, 5/8 Male RH Thread | X | X |
| | 04001-12 | Bolt, Hex Head 5/16-18 x 1-3/4", Front | X | X | 63 | 04001-79 | Bolt, Hex Head 5/8-11 x 4-1/2" | X | X |
| 13 | 04021-10 | Nut, Elastic Stop 5/16-18 | X | X | 64 | 48114-04 | Grease Fitting, 90 Degree | X | X |
| 14 | 04020-09 | Nut, 5/8-11 UNC | X | X | 65 | 483241 | Belt, Cutter Deck Drive (48V) | X | |
| 15 | 45944 | Shaft, Roller | X | X | | 483242 | Belt, Cutter Deck Drive (52V) | | X |
| 16 | 04001-41 | Bolt, Hex Head 5/8-11 x 9-1/2" | X | X | 66 | 04001-09 | Bolt, Hex Head 5/16-18 x 1" | X | X |
| 17 | 48038 | Roller, Rear | X | X | 67 | 483378 | Spring, Discharge Chute | X | X |
| 18 | 04001-154 | Bolt, Hex Head 5/16-18 x 4-3/4" | X | X | 68 | 424839 | Baffle Custom-Cut, 48V (7-Position) | X | |
| 19 | 04063-08 | Key, 1/4 x 1/4 x 2" | X | X | | 424840 | Baffle Custom-Cut, 52V (7-Position) | | X |
| 20 | 483246 | Spring, Idler LH | X | X | 69 | 04003-23 | Bolt, Carriage 3/8-16 x 1" | X | X |
| 21 | 04043-04 | Flatwasher, 3/8" | X | X | 70 | 04021-22 | Nut, Elastic Stop 5/16-18 Grade 8 | X | X |
| 22 | 04001-176 | Bolt, Hex Head 5/16-18 x 1-3/4" Gr. 8 | X | X | 71 | 04043-04 | Flatwasher 3/8" | X | X |
| 23 | 04019-03 | Nut, Serrated Flange 5/16-18 | X | X | 72 | 483239 | Belt, RH Cutter Deck | X | X |
| 24 | 04001-51 | Bolt, Hex Head 3/8-16 x 3-3/4" | X | X | | 483240 | Belt, RH Cutter Deck | | |
| 25 | 48100-15 | Bushing, .376 ID Oilite | X | X | 73 | 48181 | Pulley, Idler 5" Dia. | X | X |
| 26 | 04030-03 | Lockwasher 5/16" | X | X | 74 | 483283 | Pulley, Double Groove | X | X |
| 27 | 04040-15 | Flatwasher 5/16" | X | X | | 483285 | Pulley, Double Groove | | |
| 28 | 04001-136 | Bolt, Hex Head 3/8-16 x 1-1/2" Gr. 8 | X | X | 75 | 483167 | Bolt, Special | X | X |
| 29 | 04021-09 | Nut, Elastic Stop 3/8-16 | X | X | 76 | 461929 | Lever Assy., Deck Level | X | X |
| 30 | 04001-31 | Bolt, Hex Head 3/8-16 x 2-1/2" | X | X | 77 | 04003-40 | Bolt, Carriage 7/16-14 x 1-1/4" | X | X |
| 31 | 483247 | Spring, Idler RH | X | X | 78 | 04040-11 | Flatwasher, 7/16-.500 x 1.25 x .083" | X | X |
| 32 | 424369 | Bracket, Spring Anchor LH 48V | X | | 79 | 04021-11 | Nut, Elastic Stop 7/16-14 | X | X |
| | 424409 | Bracket, Spring Anchor LH 52V | | X | 80 | 424367 | Dust Shield | X | X |
| 33 | 04110-03 | U-Nut, 3/8-16 | X | X | 81 | 04030-03 | Lockwasher 3/8" | X | X |
| 34 | 461663 | Spindle Assembly | X | X | 82 | 424376 | Bracket, Spring Anchor RH | X | X |
| 35 | 43589 | Shaft, Spindle | X | X | | 424377 | Bracket, Spring Anchor RH | | |
| 36 | 481024 | Seal Upper | X | X | 83 | 04001-136 | Bolt, Hex Head 3/8-16 x 1-1/2" Gr. 8 | X | X |
| 37 | 481022 | Bearing Assembly | X | X | 84 | 04001-19 | Bolt, Hex Head 3/8-16 x 1" | X | X |
| 38 | 48114-04 | Grease Fitting | X | X | 85 | 04021-04 | Nut, Center Lock 5/16-18 | X | X |
| 39 | 48677 | Valve, Grease Relief | X | X | 86 | 483176 | Wear Pad | X | X |
| 40 | 43644 | Housing, Spindle | X | X | 87 | 43689 | Idler Pivot | X | X |
| 41 | 43312 | Spacer, Outside | X | X | 88 | 04003-12 | Bolt, Carriage 5/16-18 x 3/4" | X | X |
| 42 | 43296 | Spacer, Inside | X | X | 89 | 04040-04 | Flatwasher, 5/16" | X | X |
| 43 | 481025 | Seal, Lower | X | X | | | | | X |
| 44 | 43297 | Bushing, Bottom | X | X | | | | | |
| 45 | 481035 | Nut, Special 1-1/16 - 18 | X | X | | | | | |
| 46 | 43590 | Spacer, Spindle | X | X | | | | | |
| 47 | 482877 | Cutter Blade 16.5" | X | | | | | | |
| | 482878 | Cutter Blade 18" | | X | | | | | |
| 48 | 483210 | Pulley, Idler 5" Dia. | X | X | | | | | |
| 49 | 48224 | Bearing | X | X | | | | | |
| 50 | 461940 | Idler Arm Assy. | X | X | | | | | |

61V CUTTER DECK



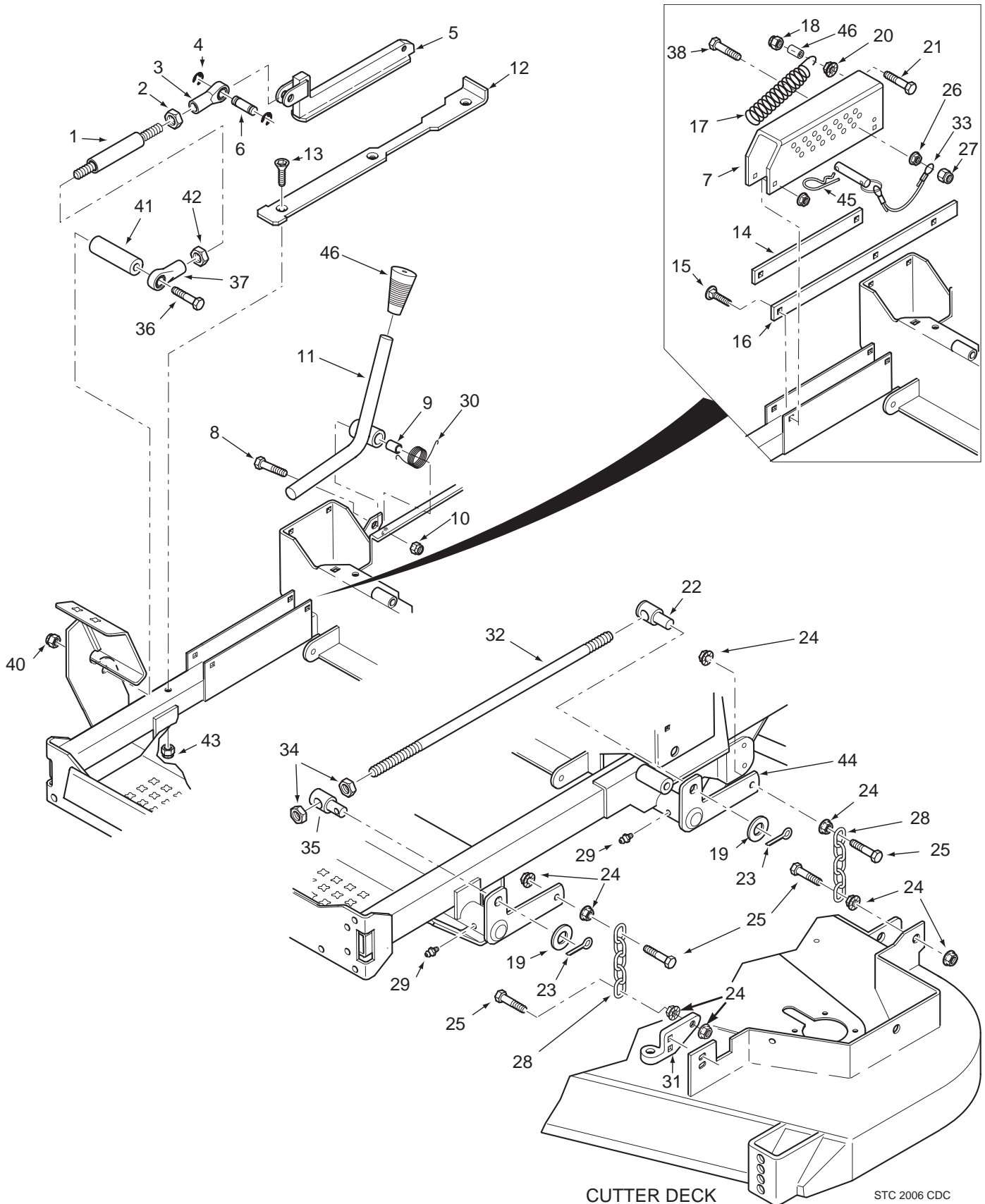
STWC 2006 CD61

61V CUTTER DECK

| Ref. No. | Part No. | Description |
|----------|-----------|---|
| 1 | 461862 | Cutter Deck Velocity Plus |
| 2 | 43687 | Boss, Spring Anchor |
| 3 | 424371 | Bracket, LH Spring Anchor 61V |
| 4 | 481625-01 | Wing Nut, 3/8-16 |
| 5 | 481632 | Anti-Scalp Wheel |
| 6 | 04003-26 | Bolt, Carriage 3/8-16 x 4" |
| 7 | 422478 | Bracket, Anti-Scalp Wheel |
| 8 | 04017-27 | Bolt, Serrated Flange 3/8-16 x 1" |
| 9 | 04043-06 | Flatwasher, 5/8" Hardened |
| 10 | 04021-05 | Locknut, 3/8-16 Center Lock |
| 11 | 461846 | Discharge Chute |
| 12 | 04001-11 | Bolt, Hex Head 5/16-18 x 1-1/2", Rear |
| | 04001-12 | Bolt, Hex Head 5/16-18 x 1-3/4", Front |
| 13 | 04021-10 | Nut, Elastic Stop 5/16-18 |
| 14 | 04020-09 | Nut, 5/8-11 UNC |
| 15 | 45944 | Shaft, Roller |
| 16 | 04001-41 | Bolt, Hex Head 5/8-11 x 9-1/2" |
| 17 | 48038 | Roller, Rear |
| 18 | 04001-154 | Bolt, Hex Head 5/16-18 x 4-3/4" |
| 19 | 04063-08 | Key, 1/4 x 1/4 x 2" |
| 20 | 483246 | Spring, LH Deck Drive |
| 21 | 04043-04 | Flatwasher, 3/8" - .938 x .391 x .105" |
| 22 | 04001-176 | Bolt, Hex Head 5/16-18 x 1-3/4" Grade 8 |
| 23 | 04019-03 | Nut, Serrated Flange 5/16-18 |
| 24 | 04001-172 | Bolt, Hex Head 1/4-20 x 1" Grade 8 |
| 25 | 48100-15 | Bushing, .376 ID Oilite |
| 26 | 04030-03 | Lockwasher 5/16" |
| 27 | 04040-15 | Flatwasher 5/16" |
| 28 | 483703 | Spring, RH Deck Drive |
| 29 | 04021-09 | Nut, Elastic Stop 3/8-16 |
| 30 | 461940 | Idler Arm Assembly, LH Drive |
| 31 | 461946 | Idler Arm Assembly, RH Drive |
| 32 | 483286 | Pulley, Tapered Bore 6.33" Dia. |
| 33 | 04110-03 | U-Nut, 3/8-16 |
| 34 | 461663 | Spindle Assembly |
| 35 | 43589 | Shaft, Spindle |
| 36 | 481024 | Seal Upper |
| 37 | 481022 | Bearing Assembly |
| 38 | 48114-04 | Grease Fitting |
| 39 | 48677 | Valve, Grease Relief |
| 40 | 43644 | Housing, Spindle |
| 41 | 43312 | Spacer, Outside |
| 42 | 43296 | Spacer, Inside |
| 43 | 481025 | Seal, Lower |
| 44 | 43297 | Bushing, Bottom |
| 45 | 481035 | Nut, Special 1-1/16 - 18 |
| 46 | 43590 | Spacer, Spindle |
| 47 | 482879 | Cutter Blade 21" |
| 48 | 483287 | Pulley, Double Groove 6.33" Dia. |
| 49 | 424367 | Dust Shield |
| 50 | 483210 | Idler Pulley, 5" Dia. |

| Ref. No. | Part No. | Description |
|----------|-----------|---------------------------------------|
| 51 | 48181 | Idler Pulley, 5" Dia. |
| 52 | 424575 | Belt Cover (61V) |
| 53 | 48926 | Hub, Tapered 1-1/8" Bore |
| 54 | 483415 | Idler Pulley, 3-1/2" Dia. |
| 55 | 43689 | Pivot, Idler |
| 56 | 48224 | Bearing |
| 57 | 424209 | Turbo Baffle, Bolt On |
| 58 | 451240 | Push Arm Shaft |
| 59 | 461516 | Push Arm (Includes 64,60,62) |
| 60 | 04020-16 | Nut, 5/8-18 UNF |
| 61 | 04021-13 | Nut, Elastic Stop 5/8-11 |
| 62 | 48763 | Rod End, 5/8 Male RH Thread |
| 63 | 04001-79 | Bolt, Hex Head 5/8-11 x 4-1/2" |
| 64 | 48114-04 | Grease Fitting, 90 Degree |
| 65 | 483243 | Belt, Deck Drive 61V |
| 66 | 04001-09 | Bolt, Hex Head 5/16-18 x 1" |
| 67 | 483185 | Spring, Discharge Chute |
| 68 | 424841 | Baffle Custom-Cut, 61V (7-Position) |
| 69 | 04003-23 | Bolt, Carriage 3/8-16 x 1" |
| 70 | 04041-07 | Flatwasher, 3/8-.391 x .938 x .105" |
| 71 | 04001-77 | Bolt, Hex Head 3/8-16 X 3-1/2" |
| 72 | 483157 | Belt, Deck Drive RH |
| 73 | 482295 | Wheel, Anti Scalp |
| 74 | 45944 | Roller Shaft |
| 75 | 483167 | Bolt, Special |
| 76 | 04003-40 | Bolt, Carriage 7/16-14 x 1-1/4" |
| 77 | 461929 | Lever Assy., Deck Level |
| 78 | 04001-136 | Bolt, Hex Head 3/8-16 x 1-1/2" Gr.8 |
| 79 | 04001-19 | Bolt, Hex Head 3/8-16 x 1" |
| 80 | 04019-04 | Nut, Serrated Flange 3/8-16 |
| 81 | 04030-04 | Lockwasher, 5/16" |
| 82 | 43689 | Pivot, Idler Short |
| 83 | 04003-12 | Bolt, Carr. 5/16-18 x 3/4" |
| 84 | 483176 | Wear Pad |
| 85 | 04040-04 | Flatwasher, 5/16-.344 x .688 x .065" |
| 86 | 04021-04 | Nut, Center Lock 5/16" |
| 87 | 04001-19 | Bolt, Hex Head 3/8-16 x 1" |
| 88 | 04001-31 | Bolt, Hex Head 3/8-16 x 2-1/2" |
| 89 | 04021-11 | Nut, Elastic Stop 7/16-14 |
| 90 | 04040-11 | Flatwasher, 7/16-.500 x 1.250 x .083" |
| 91 | 04001-46 | Bolt, Hex Head 3/8-16 x 2-1/4" |
| 92 | 04001-54 | Bolt, Hex Head 3/8-16 x 3" |
| 93 | 04021-09 | Nut, Elastic Stop 3/8-16 |
| 94 | 483287 | Pulley, Double Groove 6.33" Dia. |

CUTTER DECK CONTROLS



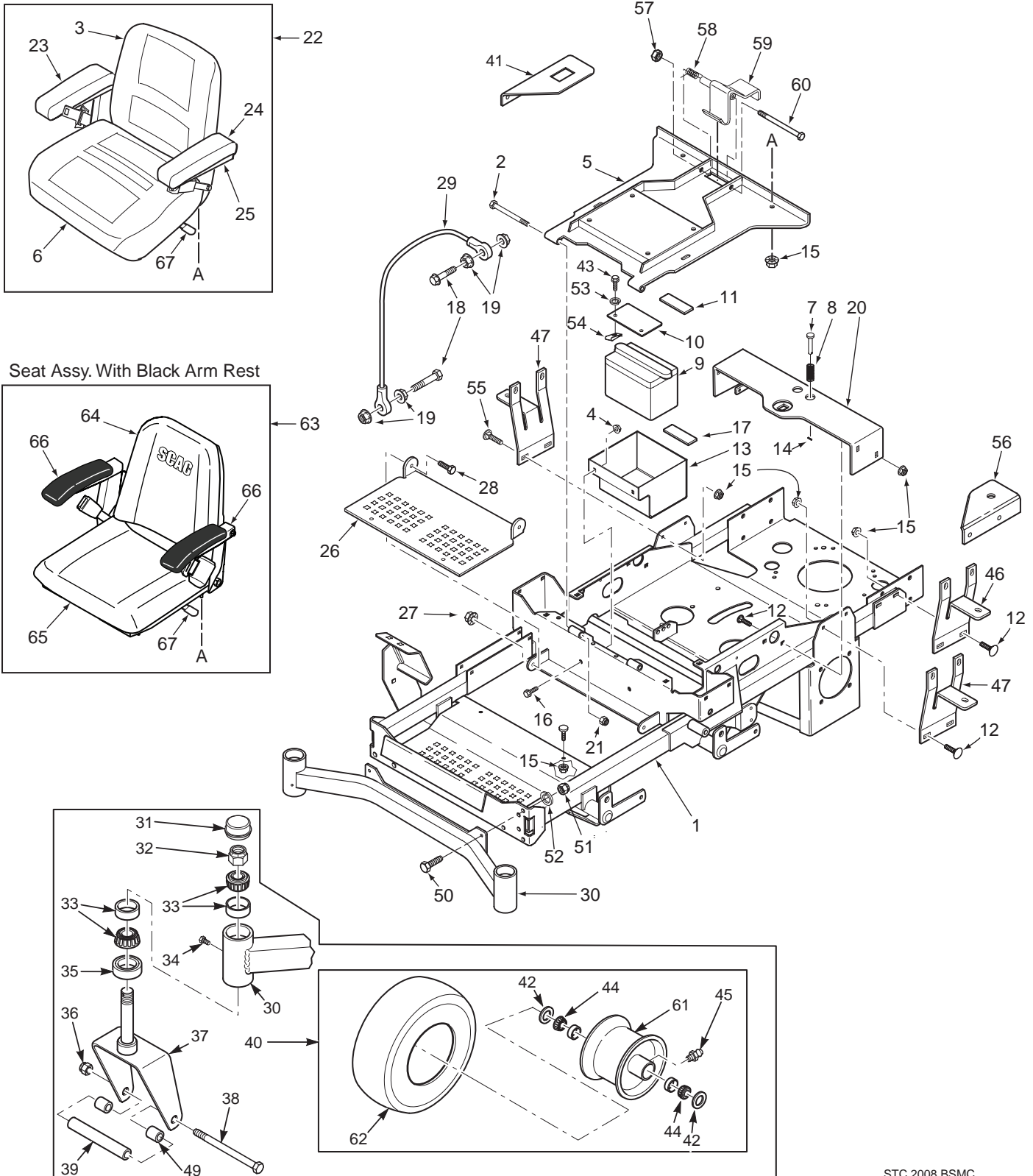
CUTTER DECK

STC 2006 CDC

CUTTER DECK CONTROLS

| Ref. No. | Part No. | Description |
|----------|-----------|--------------------------------------|
| 1 | 482624 | Rod, Deck Lift Linkage |
| 2 | 04020-28 | Nut, Jam 1/2-20 LH Thread |
| 3 | 481766 | Rod End, 1/2-20 Female Thread |
| 4 | 04050-10 | Retaining Ring, 1/2" External "E" |
| 5 | 483062 | Slide, Deck Height Adjust |
| 6 | 43487 | Pin, Deck Lift |
| 7 | 423463 | Bracket, Cutting Height Adjustment |
| 8 | 04001-22 | Bolt, Hex Head 3/8-16 x 2-3/4" |
| 9 | 43668 | Bushing .502" OD |
| 10 | 04021-09 | Nut, Elastic Stop 3/8-16 |
| 11 | 461874 | Lever, Deck Latch |
| 12 | 422346 | Slide, Cutting Height |
| 13 | 04014-03 | Screw, Cap 5/16-18 x 3" FHHS |
| 14 | 422381 | Guide, Short |
| 15 | 04003-04 | Bolt, Carriage 5/16-18 x 1" |
| 16 | 422380 | Guide, Long |
| 17 | 483177 | Spring, Helper |
| 18 | 04021-05 | Nut, 3/8-16 Center Lock |
| 19 | 04040-09 | Flatwasher, 5/8-.656 x 1.312 x .095" |
| 20 | 04019-04 | Nut, 3/8-16 Serr. Flange |
| 21 | 04001-32 | Bolt, Hex Head 3/8-16 x 1-1/4" |
| 22 | 43678 | Swivel Joint LH |
| 23 | 04061-07 | Cotter Pin, 3/16 x 1" |
| 24 | 04019-04 | Nut, Serr. Flange 3/8-16 |
| 25 | 04001-20 | Bolt, Hex Head 3/8-16 x 1-1/2" |
| 26 | 04019-04 | Nut, Serr. Flange 3/8-16 |
| 27 | 04021-09 | Nut, Elastic Stop 3/8-16 |
| 28 | 48540 | Chain |
| 29 | 48114-04 | Grease Fitting, 1/4-28 Self Tap |
| 30 | 483181 | Torsion Spring |
| 31 | 461929 | Lever Assy., Deck Level |
| 32 | 04004-45 | Stud, 1/2-13 x 20" |
| 33 | 04067-09 | Pin |
| | 481547 | Lanyard |
| 34 | 04020-09 | Nut, 5/8-11 UNC |
| 35 | 43679 | Swivel Joint RH |
| 36 | 04001-155 | Bolt, Hex Head 1/2-13 x 5" |
| 37 | 481765 | Rod End, 1/2-20 Female RH Thread |
| 38 | 04001-77 | Bolt, Hex Head 3/8-16 x 3-1/2" |
| 39 | 43572 | Spacer |
| 40 | 04021-02 | Locknut, 1/4-20 |
| 41 | 43630 | Spacer |
| 42 | 04020-27 | Nut, 1/2-20 UNF-2B |
| 43 | 04021-10 | Nut, Elastic Stop 5/16-18 |
| 44 | 45904 | Lift Bellcrank Weldment, LH Rear |
| | 45905 | Lift Bellcrank Weldment, RH Rear |
| | 04041-14 | Flatwasher, 1.0-1.062 x 1.5 x .048" |
| | 04050-08 | Retaining Ring, 1" ext. |
| 45 | 04062-04 | Hair Pin Cotter, .177 x 3-1/4" |
| 46 | 481477 | Grip, Deck Latch Lever |

SHEET METAL COMPONENTS

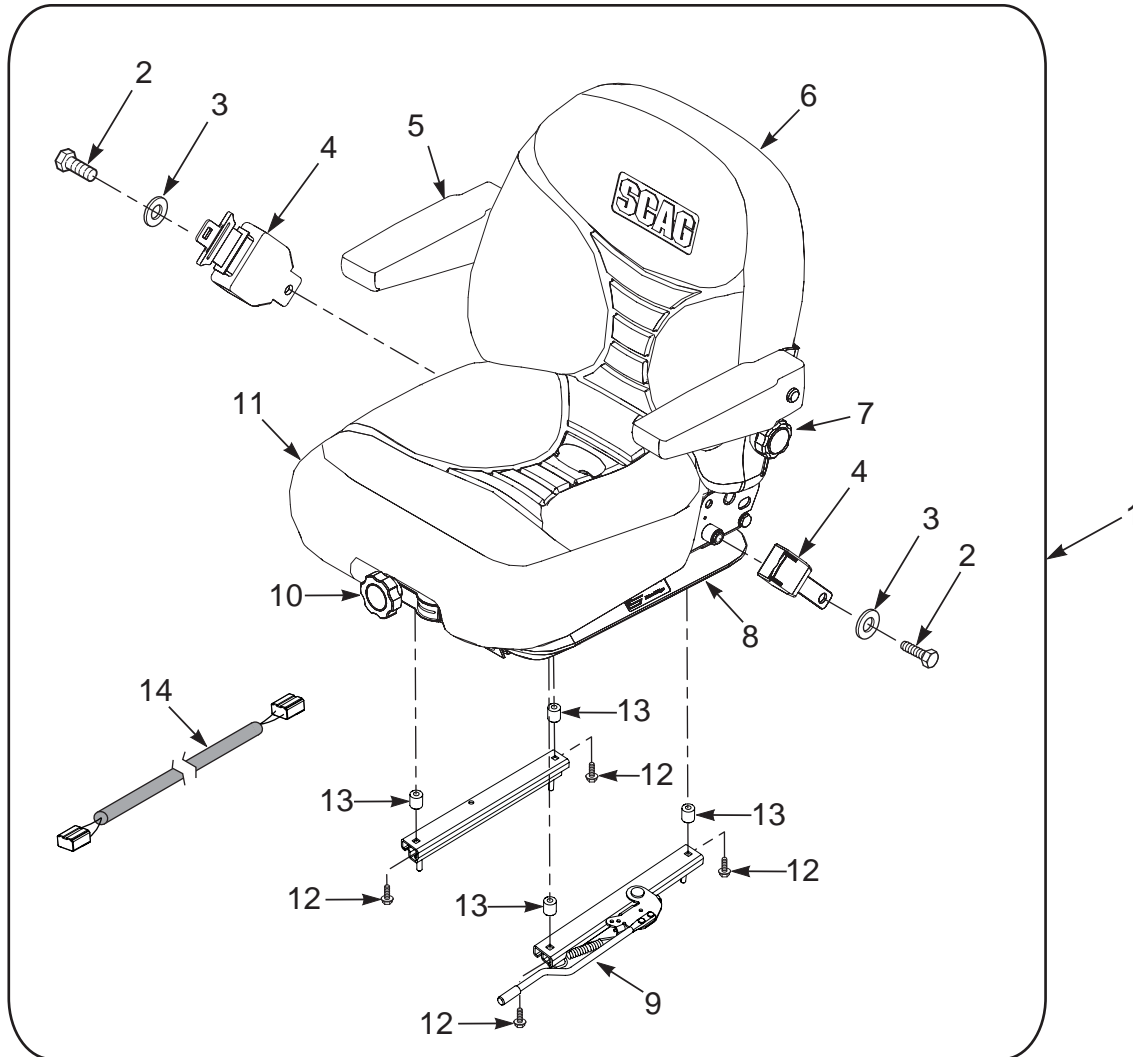


SHEET METAL COMPONENTS

| Ref. No. | Part No. | Description |
|----------|-----------|--------------------------------------|
| 1 | 461918 | Main Frame Assembly w/decals |
| 2 | 04001-73 | Bolt, Hex Head 5/16-18 x 3-3/4" |
| 3 | 482632 | Cushion, Back |
| 4 | 04019-04 | Nut, Serr. Flange 3/8-16 |
| 5 | 461989 | Plate, Seat Mounting w/decals |
| 6 | 482111 | Cushion, Lower Seat |
| 7 | 43462 | Pin Retainer, Spring |
| 8 | 481389 | Spring |
| 9 | ** | Battery (not available through Scag) |
| 10 | 423571 | Battery Cover |
| 11 | 482553 | Battery Hold Down Pad |
| 12 | 04003-12 | Bolt, Carr. 5/16-18 x 3/4" |
| 13 | 423556 | Battery Box |
| 14 | 04060-01 | Roll Pin, Spring 5/32 x 3/4" |
| 15 | 04019-03 | Nut, Serr. Flange 5/16-18 |
| 16 | 04001-19 | Bolt, Hex Head 3/8-16 x 1" |
| 17 | 482552 | Pad, Rubber |
| 18 | 04001-59 | Bolt, Hex Head 1/4-20 x 1-1/4" |
| 19 | 04019-02 | Nut, Serr. Flange 1/4-20 |
| 20 | 451896 | Seat Base Support |
| 21 | 04021-10 | Nut, Elastic Stop 5/16-18 |
| 22 | 483385 | Seat Assembly w/ adj. rails |
| 23 | 482108 | Arm Pad, RH |
| | 482110 | Bracket, Armrest RH |
| 24 | 482107 | Arm Pad, LH |
| | 482109 | Bracket, Armrest LH |
| 25 | 482183 | Channel, Armrest |
| 26 | 423557 | Footplate |
| 27 | 04021-09 | Nut, Elastic Stop 3/8-16 |
| 28 | 04001-19 | Bolt, Hex Head 3/8-16 x 1" |
| 29 | 48566 | Cable, Seat Stop |
| 30 | 451826 | Weldment, Caster Support (48" & 52") |
| | 451827 | Weldment, Caster Support (61") |
| 31 | 481559 | Cap, Grease |
| 32 | 04021-20 | Nut, Elastic Stop 1.0"-14 |
| 33 | 48668 | Bearing Set |
| 34 | 482028-01 | Plug, 1/4-28 |
| 35 | 481025 | Seal, 2.0" OD x 1.625" ID |
| 36 | 04021-07 | Nut, Elastic Stop 1/2-13 |
| 37 | 451471 | Yoke, Front Caster Wheel |
| | 451658 | Yoke, Front Caster Wheel (61") |
| 38 | 04001-134 | Bolt, Hex Head 1/2-13 x 7-1/2" |
| | 04001-167 | Bolt, Hex Head 1/2-13 x 9-1/2" (61") |
| 39 | 43581 | Sleeve - 48" & 52" |
| | 43583 | Sleeve - 61" |
| 40 | 482503 | Caster Wheel Assembly |
| | 482504 | Caster Wheel Assembly (61") |

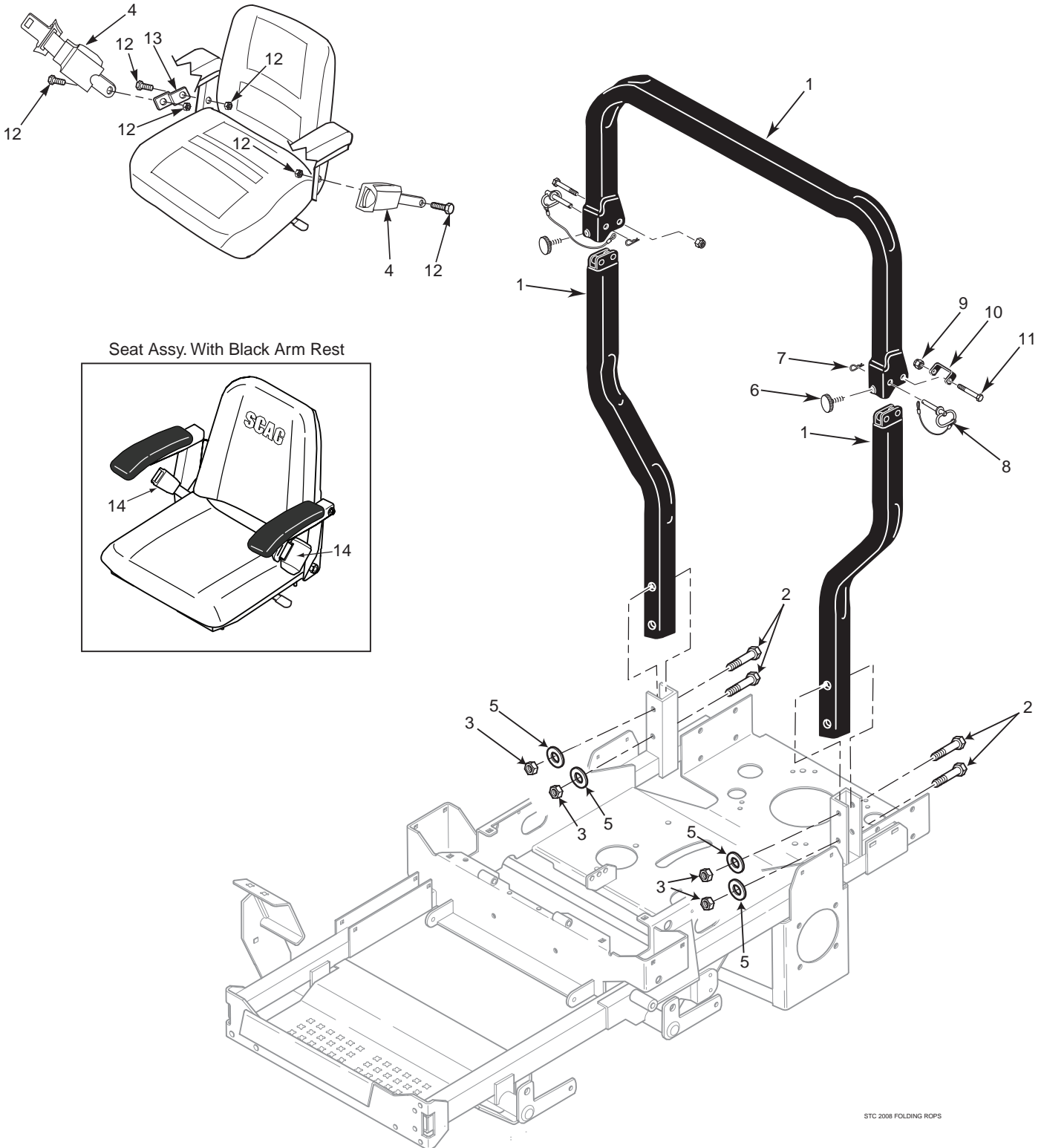
| Ref. No. | Part No. | Description |
|----------|-----------|-------------------------------------|
| 41 | 424112 | Bracket, Hour Meter |
| 42 | 482622 | Seal |
| 43 | 04001-32 | Bolt, Hex Head 3/8-16 x 1-1/4" |
| 44 | 482621 | Roller Bearing |
| 45 | 48114-04 | Fitting, Grease |
| 46 | 423575 | Mounting Bracket, Oil Tank |
| 47 | 423764 | Mounting Bracket, Fuel Tank |
| 48 | 482633 | Seat Pan |
| 49 | 43584 | Spacer, Caster Wheel |
| 50 | 04001-28 | Bolt, Hex Head 7/16-14 x 1-1/4" |
| 51 | 04021-11 | Nut, Elastic Stop 7/16-14 |
| 52 | 04030-05 | Lockwasher, 7/16" |
| 53 | 04030-04 | Lockwasher. 3/8" Spring |
| 54 | 04110-03 | U-Nut, 3/8-16 |
| 55 | 04003-04 | Bolt, Carriage 5/16-18 x 1" |
| 56 | 423912 | Bracket, Fuel Valve |
| 57 | 04021-05 | Locknut, 3/8-16 Center Lock |
| 58 | 483371 | Spring, Seat Latch |
| 59 | 451897 | Seat Latch Weldment |
| 60 | 04001-100 | Bolt, Hex Head 3/8-16 x 6" |
| 61 | 482625 | Rim 48" & 52" (Includes Item 45) |
| | 482620 | Rim 61" (Includes Item 45) |
| 62 | 481613 | Tire, 13 x 5.0-6 Smooth (48" & 52") |
| | 482619 | Tire, 13 x 6.5-6 Smooth (61") |
| 63 | 483736 | Seat Assembly w/Adjustable Rails |
| 64 | 483544 | Cushion, Back |
| 65 | 483545 | Cushion, Lower Seat |
| 66 | 483549 | Armrest Kit |
| 67 | 482635 | Seat Adjustment Track Set |

STC / STWC SUSPENSION SEAT - ILLUSTRATED PARTS LIST



| Ref. No. | Part No. | Description |
|----------|-----------|---|
| 1 | 9292 | Suspension Seat Assembly w/seat belt |
| 2 | 04001-178 | Bolt, Hex Head 7/16-20 x 1" |
| 3 | 04040-11 | Flatwasher, 7/16-.500 x 1.25 x .083 |
| 4 | 483594 | Retractable Seat Belt |
| 5 | 482950 | Armrest Only |
| | 482945 | Armrest Assembly Kit, LH |
| | 482946 | Armrest Assembly Kit, RH |
| 6 | 482940 | Back Cushion Kit |
| 7 | 482943 | Lumbar Kit |
| | 482948 | Knob Kit |
| 8 | 482942 | Shock Absorber Kit |
| 9 | 482952 | Seat Adjustment, Track Set |
| 10 | 482944 | Weight Adjustment Kit |
| | 482948 | Knob Kit |
| 11 | 482941 | Seat Cushion Kit |
| | | Seat Drain Kit (Included with Seat Cushion) |
| 12 | 04001-12 | Bolt, Hex Head 5/16-18 x 1-3/4" |
| 13 | 43572 | Spacer |
| 14 | 483440 | Wire Harness Adapter |

STC FOLDABLE ROLL-OVER PROTECTION SYSTEM

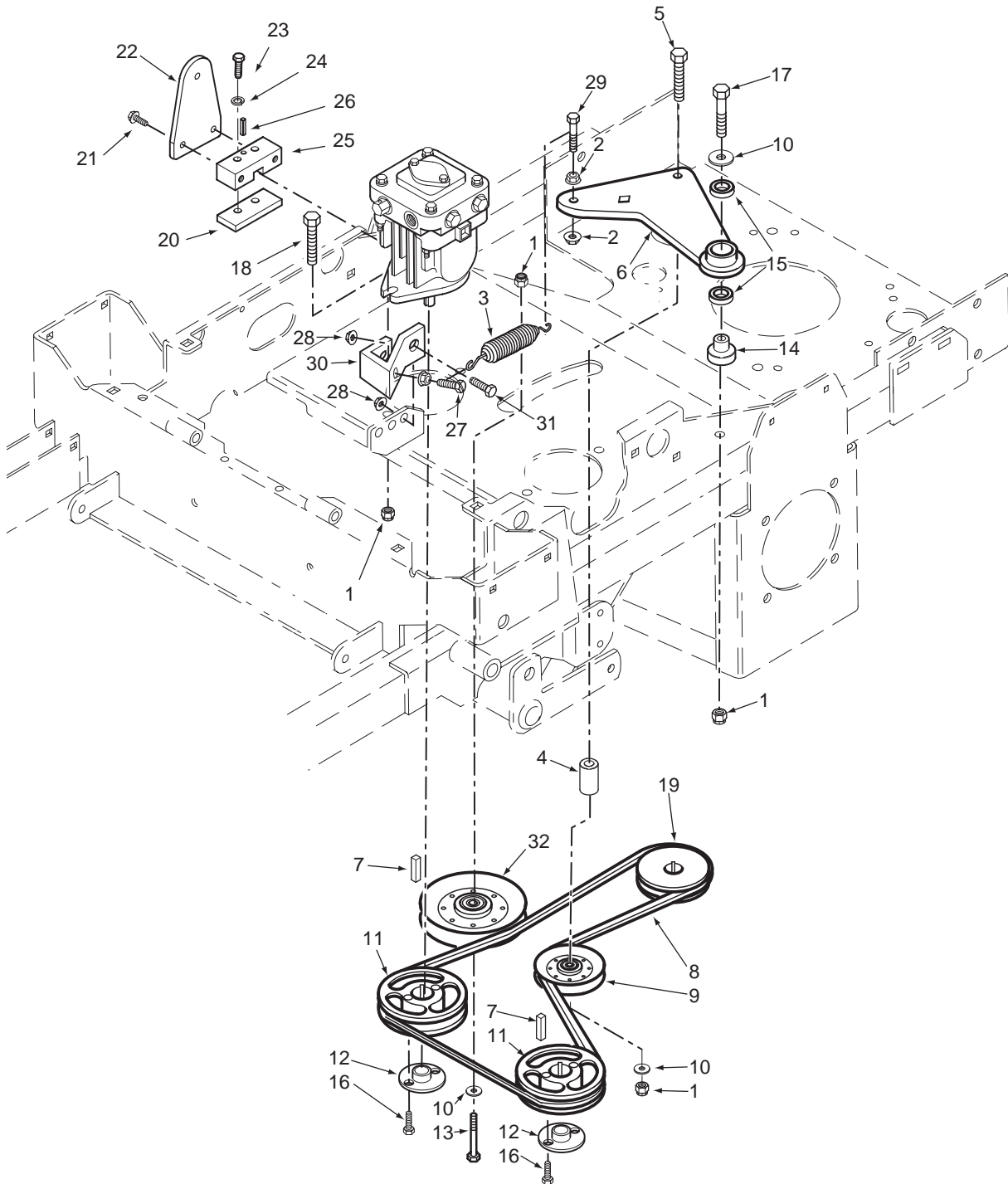


STC 2008 FOLDING ROPS

STC FOLDABLE ROLL-OVER PROTECTION SYSTEM

| Ref. No. | Part No. | Description |
|----------|-----------|--|
| 1 | 9512 | STC Foldable ROPS Accessory (incl. all items listed) |
| 2 | 04001-145 | Bolt, Hex Head 1/2-13 x 3-1/2" |
| 3 | 04021-19 | Nut, Center Lock 1/2-13 |
| 4 | 483412 | Retractable Seat Belt |
| 5 | 04040-13 | Flatwasher, 1/2-.562 x 1.375 x .109" |
| 6 | 481625-03 | Thumb Screw, 5/16-18 NC x 3/4" |
| 7 | 04062-06 | Hair Pin, Cotter |
| 8 | 483262 | Pin |
| 9 | 04021-19 | Nut, Center Lock 1/2-13 |
| 10 | 424407 | Bracket, Stop |
| 11 | 04001-145 | Bolt, Hex Head 1/2-13 x 3-1/2" |
| 12 | 461990 | Seat Hardware Kit, STC |
| 13 | 483451 | Bracket |
| 14 | 483412 | Retractable Seat Belt (Seat with Black Armrest) |
| | 461990 | Hardware Package, Seat Belt Mounting |

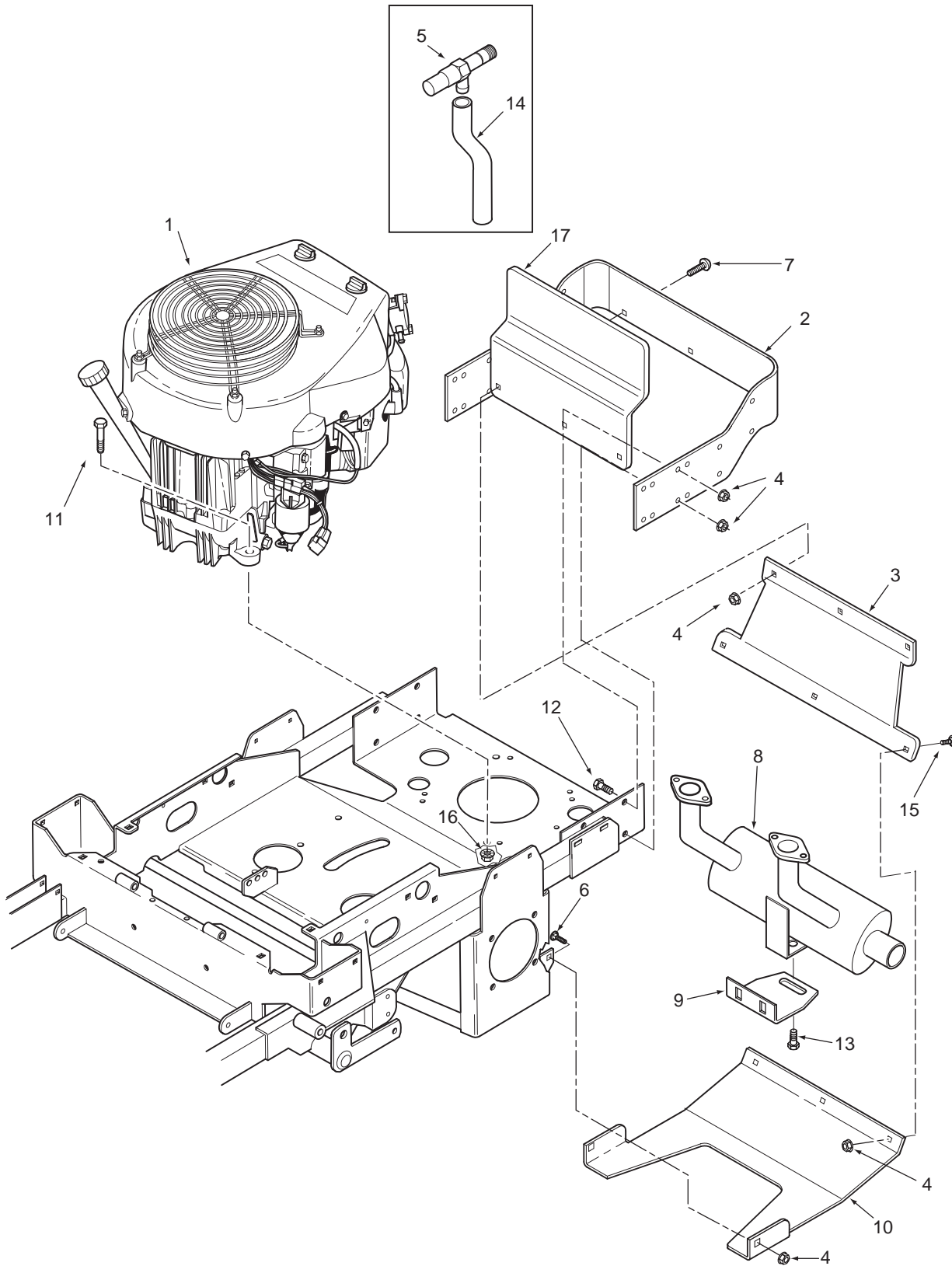
DRIVE SYSTEM COMPONENTS



DRIVE SYSTEM COMPONENTS

| Ref. No. | Part No. | Description |
|----------|-----------|--|
| 1 | 04021-09 | Nut, Elastic Stop 3/8-16 |
| 2 | 04019-04 | Nut, Serrated Flange 3/8-16 |
| 3 | 483087 | Spring, Pump Idler |
| 4 | 43286 | Spacer |
| 5 | 04001-22 | Bolt, Hex Head 3/8-16 x 2-3/4" |
| 6 | 461603 | Idler Arm Assy., Pump Drive |
| 7 | 04063-14 | Key, 5 x 5 x 25mm |
| 8 | 483172 | Belt, Transmission |
| 9 | 483415 | Pulley, 3-1/2" Dia. Idler |
| 10 | 04043-04 | Flatwasher, 3/8-.391 x .938 x .105" |
| 11 | 482744 | Pulley, 5.75" OD Taper Bore |
| 12 | 482085 | Hub, Tapered, 15mm Bore |
| 13 | 04001-45 | Bolt, 3/8-16 x 2" |
| 14 | 43503 | Pivot, Idler |
| 15 | 48224 | Bearing |
| 16 | 04001-172 | Bolt, Hex Head 1/4-20 x 1" Grade 8 |
| 17 | 04001-31 | Bolt, Hex Head 3/8-16 x 2-1/2" |
| 18 | 04001-20 | Bolt, Hex Head 3/8-16 x 1-1/2" |
| 19 | 483081 | Pulley, 5.75" Dia. - 1.125" Bore |
| 20 | 421203 | Clamp Plate |
| 21 | 04017-05 | Hex Head Capscrew, 1/4-20 x 3/4" |
| 22 | 422969 | Control Lever, Pump |
| 23 | 04017-05 | Hex Head Capscrew, 1/4-20 x 3/4" |
| 24 | 04030-02 | Lockwasher, 1/4" |
| 25 | 48829 | Block, Pump Control |
| 26 | 04060-06 | Roll Pin |
| 27 | 04001-136 | Bolt, Hex Head 3/8-16 x 1-1/2" Grade 8 |
| 28 | 04019-04 | Nut, Serr. Flange 3/8-16 |
| 29 | 04001-136 | Bolt, Hex Head 3/8-16 x 1-1/2" Grade 8 |
| 30 | 424137 | Bracket |
| 31 | 04001-19 | Bolt, Hex Head 3/8-16 x 1" |
| 32 | 483215 | Pulley, 5" Dia. Idler |

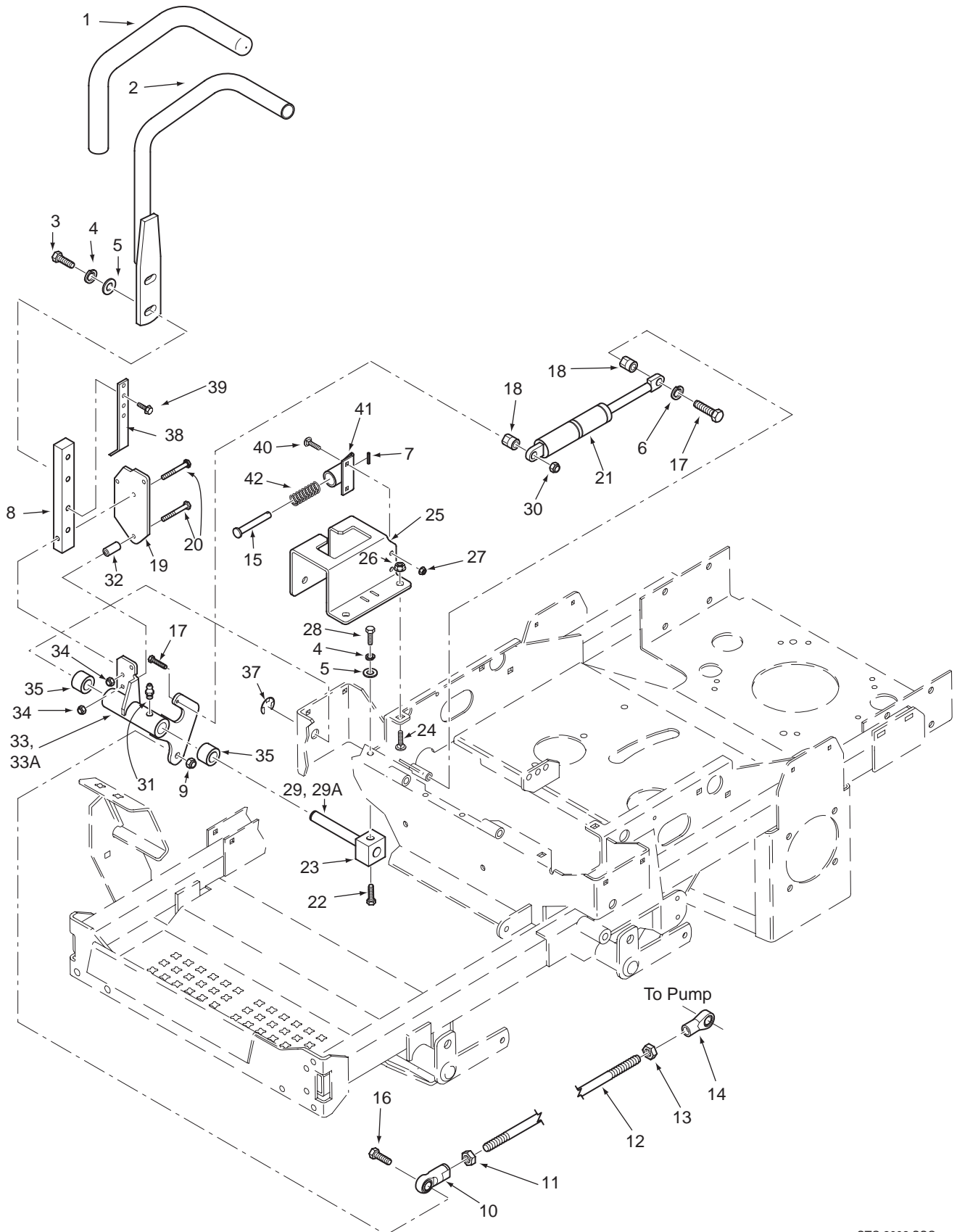
ENGINE & ATTACHING PARTS



ENGINE & ATTACHING PARTS

| Ref. No. | Part No. | Description |
|----------|-----------|---|
| 1 | 482932 | Engine, Kawasaki 19hp KAI |
| | 483439 | Engine, Briggs & Stratton 26hp ELS |
| | 483281 | Engine, Kohler Command 23hp |
| | 483685 | Engine, Kohler Command 25hp |
| 2 | 423770 | Bumper, Rear |
| 3 | 424107 | Shield, Rear (48" & 52") |
| | 41031 | Weight, Rear Shield (61" Only) |
| 4 | 04019-04 | Nut, Serr. Flange 3/8-16 |
| 5 | 482510 | Extension, Oil Drain 3.3" |
| | 482349 | Extension, Oil Drain 4" (Kohler) |
| 6 | 04003-23 | Bolt, Carr. 3/8-16 x 1" |
| 7 | 04104-01 | Bolt, 3/8-16 x 1" Torx |
| 8 | 483288 | Muffler (Briggs & Stratton) |
| | 483266 | Muffler (Kohler) |
| | 483102 | Muffler (Kawasaki) |
| 9 | 424133 | Bracket, Muffler |
| 10 | 423555 | Plate, Skid |
| 11 | 04001-11 | Bolt, Hex Head 5/16-18 x 1-1/2" |
| 12 | 04001-19 | Bolt, Hex Head 3/8-16 x 1" |
| 13 | 04011-12 | Screw, Hex Head 5/16-18 x 3/4" Self Tap |
| 14 | 483280-01 | Tubing, Oil Drain 1/2" x 8" |
| 15 | 04003-31 | Bolt, Carr. 3/8-16 x 3/4" |
| 16 | 04019-03 | Nut, Serr. Flange 5/16-18 |
| 17 | 424415 | Guard, Carb Inlet |

STEERING COMPONENTS



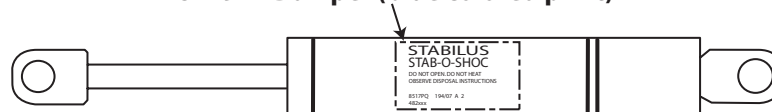
STEERING COMPONENTS

| Ref. No. | Part No. | Description |
|----------|----------|--|
| 1 | 482340 | Grip, Control Lever |
| 2 | 461386 | Handle Bar (Includes item 1) |
| 3 | 04001-32 | Bolt, Hex Head 3/8-16 x 1-1/4" |
| 4 | 04030-04 | Lockwasher, 3/8" |
| 5 | 04041-07 | Flatwasher, 3/8-.391 x .938 x .105" |
| 6 | 04040-15 | Flatwasher, 5/16-.375 x .875 x .083" |
| 7 | 04060-01 | Roll Pin, Spring 5/32 x 3/4" |
| 8 | 422372 | Bar, Control Lever |
| 9 | 04021-09 | Nut, Elastic Stop 3/8-16 |
| 10 | 482330 | Rod End, 3/8-24 RH Female |
| 11 | 04020-14 | Nut, 3/8-24 RH Thread |
| 12 | 482623 | Rod, Pump Control Linkage |
| 13 | 04020-17 | Nut, 3/8-24 UNF-2B LH Thread |
| 14 | 482331 | Rod End, 3/8-24 LH Thread |
| 15 | 43477 | Pin Retainer |
| 16 | 04001-20 | Bolt, Hex Head 3/8-16 x 1-1/2" |
| 17 | 04001-12 | Bolt, Hex Head 5/16-18 x 1-3/4" |
| 18 | 43602 | Spacer, Pump Dampener |
| 19 | 423599 | Plate, Control Lever |
| 20 | 04001-17 | Bolt, Hex Head 5/16-18 x 2" |
| 21 | *482452 | Gas Damper |
| | *482794 | Gas Damper |
| 22 | 04001-19 | Bolt, Hex Head 3/8-16 x 1" |
| 23 | 482099 | Block, Clamping |
| 24 | 04003-12 | Bolt, Carriage, 5/16-18 x 3/4" |
| 25 | 461770 | Control Plate - LH (Includes Decal) |
| | 461771 | Control Plate - RH (Includes Decal) |
| 26 | 04019-03 | Nut, Serr., Flange, 5/16-18 |
| 27 | 04021-08 | Nut, Elastic Stop 1/4-20 |
| 28 | 04001-18 | Bolt, Hex Head 3/8-16 x 3/4" |
| 29 | 43616 | Shaft, Steering Control |
| 30 | 04021-10 | Nut, Elastic Stop 5/16-18 |
| 31 | 48114-04 | Grease Fitting, 1/4-28 Self Tap |
| 32 | 43559 | Spacer, Control |
| 33 | 49574 | Control Lever Assy RH (Includes 31 & 35) |
| | 49573 | Control Lever Assy LH (Includes 31 & 35) |
| 34 | 04021-10 | Nut, Elastic Stop 5/16-18 |
| 35 | 48100-06 | Bushing |
| 36 | 04041-08 | Flatwasher, 1-1/4 x 49/64 x 16 Ga. |
| 37 | 04050-02 | Retaining Ring, 3/4" Ext. |
| 38 | 423057 | Bracket, Switch Actuator |
| 39 | 04017-16 | Bolt, Hex Serr. Flange 5/16-18 x 3/4" |
| 40 | 04003-02 | Bolt, Carr. 1/4-20 x 3/4" |
| 41 | 45918 | Bracket, Control Return |
| 42 | 481389 | Spring |
| 43 | 43477 | Pin Retainer |

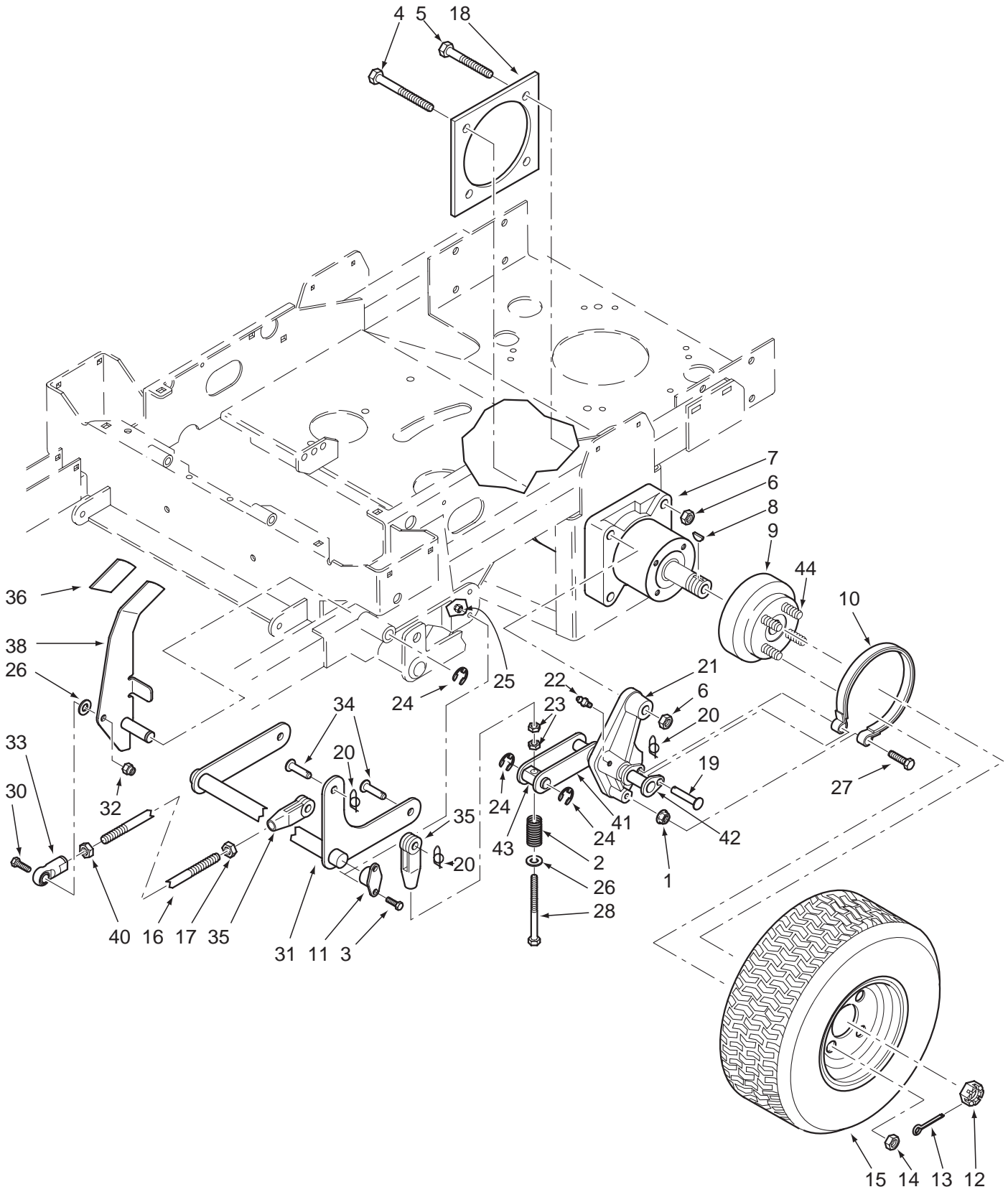
* Identify the Gas Damper installed using the colored print and part number labeled on the Gas Damper. See Figure Below.

482452 - Damper (orange colored print)

482794 - Damper (blue colored print)



BRAKE COMPONENTS

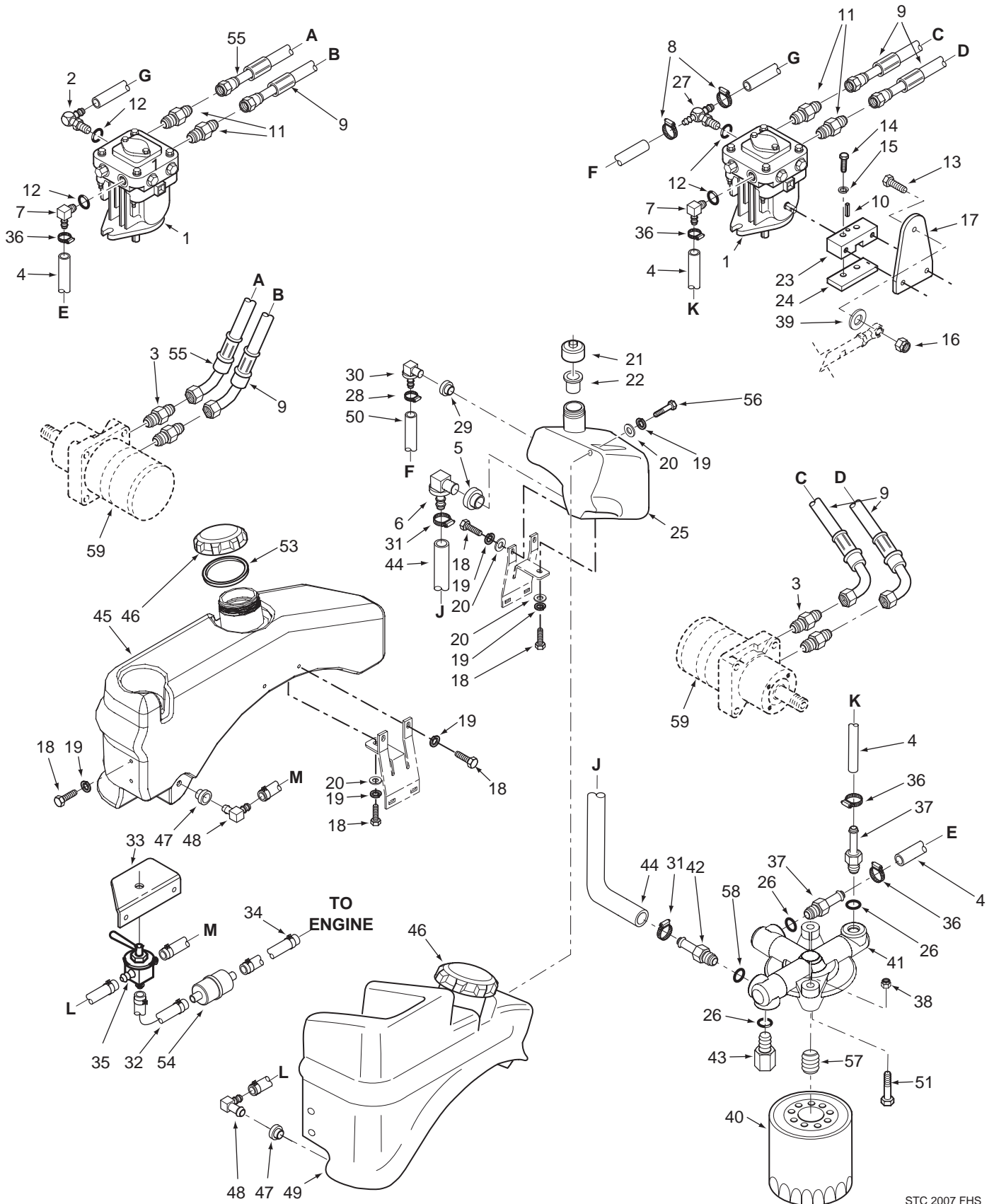


STC 2002 BSC

BRAKE COMPONENTS

| Ref. No. | Part No. | Description |
|----------|-----------|--|
| 1 | 04019-06 | Nut, Serr. Flange 1/2-13 |
| 2 | 48807 | Spring |
| 3 | 04001-08 | Bolt, Hex Head 5/16-18 x 3/4" |
| 4 | 04001-163 | Bolt, Hex Head 1/2-13 x 3-3/4" |
| 5 | 04001-52 | Bolt, Hex Head 1/2-13 x 2-1/2" |
| 6 | 04021-19 | Nut, 1/2-13 Center Lock |
| 7 | 483190 | Wheel Motor, Hydro-Gear |
| 8 | 04063-25 | Key, Woodruff 5/16 x 1" |
| 9 | 461438 | Wheel Hub Assembly |
| 10 | 483644 | Brake Band Assembly |
| 11 | 482061 | Bushing, Self Align |
| 12 | 48680 | Nut, Hex Castle 1.0-20 UNEF |
| 13 | 04061-06 | Cotter Pin, 9/64 x 1-1/2" |
| 14 | 04028-02 | Lug Nut, 1/2-20 |
| 15 | 482044 | (48" & 52") Wheel Assembly 23 x 9.5-12 |
| | 481850 | (61") Wheel Assembly 24 x 12-12 |
| | 481659 | (48" & 52") Rim |
| | 481851 | (61") Rim |
| | 482194 | (48" & 52") Tire 23 x 9.5-12 |
| | 481852 | (61") Tire 24 x 12-12 |
| 16 | 04004-46 | Brake Rod Stud, 3/8-24 x 8.125" |
| 17 | 04020-14 | Nut, 3/8-24 UNF |
| 18 | 423279 | Plate Weldment, Motor Backing |
| 19 | 04064-16 | Clevis Pin, 3/8 x 1.93" |
| 20 | 04069-01 | Pin, Rue Cotter 3/8" Dia. |
| 21 | 451970 | Brake Linkage LH |
| | 451971 | Brake Linkage RH |
| 22 | 48114-04 | Grease Fitting, 1/4-28 |
| 23 | 04020-25 | Nut, 3/8-24 UNF |
| 24 | 04050-01 | Retaining Ring, .625" Ext. |
| 25 | 04021-10 | Nut, Elastic Stop 5/16-18 |
| 26 | 04041-07 | Flatwasher, 3/8-.391 x .938 x .105" |
| 27 | 04001-187 | Bolt, Hex Head 1/2-13 x 2-1/2" Grade 8 |
| 28 | 04001-166 | Bolt, Hex Head 3/8-24 x 3-3/4" |
| 29 | 04061-02 | Cotter Pin, 3/32 x 3/4" |
| 30 | 04001-20 | Bolt, Hex Head 3/8-16 x 1-1/2" |
| 31 | 451463 | Brake Shaft |
| 32 | 04021-09 | Nut, Elastic Stop 3/8-16 |
| 33 | 48544 | Rod End, 3/8-24 LH Thread |
| 34 | 04064-02 | Clevis Pin, 3/8 x 1.06" |
| 35 | 48343-04 | Clevis, 3/8-24 |
| 36 | 482102 | Grip, Brake Lever |
| 37 | 04019-04 | Nut, Serr. Flange 3/8-16 |
| 38 | 461509 | Brake Lever (includes item 36) |
| 39 | 04001-22 | Bolt, Hex Head 3/8-16 x 2-3/4" |
| 40 | 04020-17 | Nut, 3/8-24 UNF-2B LH Thread |
| 41 | 422483 | Lever, Brake |
| 42 | 45974 | Shaft Weldment, Pivot |
| 43 | 43495 | Pin, Pivot |
| 44 | 04008-01 | Bolt, Serr. Flange 1/2-20 x 4.563" |

FUEL AND HYDRAULIC SYSTEM



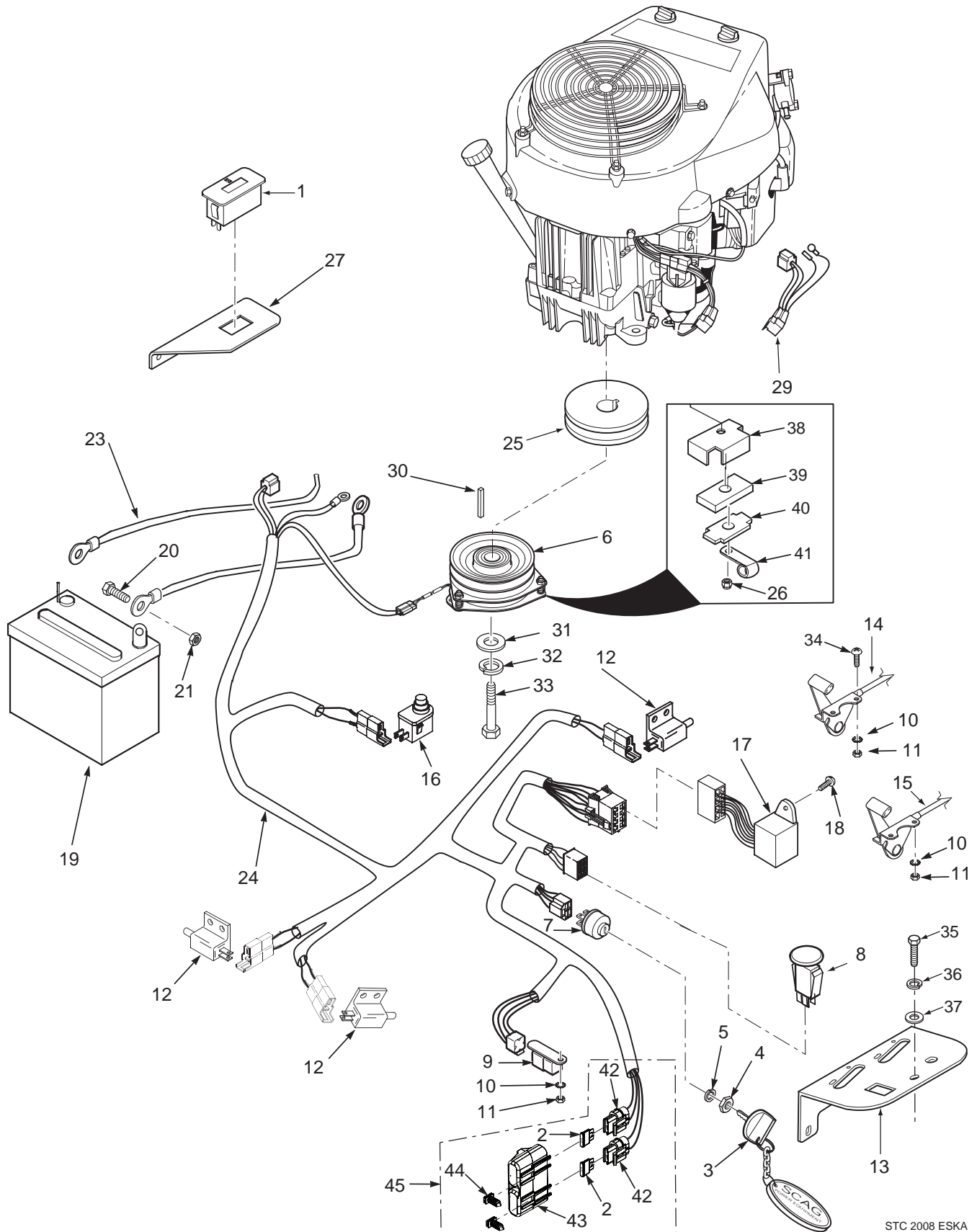
FUEL AND HYDRAULIC SYSTEM

| Ref. No. | Part No. | Description |
|----------|-----------|---|
| 1 | 482643 | Pump, BDP-10A-316 (LH) |
| | 482644 | Pump, BDP-10A-419 (RH) |
| 2 | 482266-01 | Elbow, 90 Degree 9/16" O-Ring x 3/8" Hose |
| 3 | 48572-02 | Fitting, 1/2" JIC x 5/8" O-Ring |
| 4 | 48811 | Hose, 3/8" Pushlock (Specify length) |
| 5 | 482573 | Bushing |
| 6 | 482574 | Fitting |
| 7 | 482266-01 | Elbow, 90 Degree 9/16" O-Ring x 3/8" Hose |
| 8 | 48136-13 | Hose Clamp, .69" Dia. |
| 9 | 482548 | Hose Assembly |
| 10 | 04060-06 | Roll Pin |
| 11 | 48572-04 | Fitting, 1/2" JIC x 1/2" O-Ring |
| 12 | 48603-06 | O-Ring |
| 13 | 04001-20 | Bolt, Hex Head 3/8-16 x 1-1/2" |
| 14 | 04017-07 | Bolt, Hex Head 1/4-20 x 1-1/4" |
| 15 | 04030-02 | Lockwasher |
| 16 | 04021-09 | Nut, Elastic Stop 3/8-16 |
| 17 | 422969 | Control Lever |
| 18 | 04001-08 | Bolt, Hex Head 5/16-18 x 3/4" |
| 19 | 04030-03 | Lockwasher, 5/16" |
| 20 | 04040-15 | Flatwasher, 5/16-.375 x .875 x .083 |
| 21 | 481164 | Cap, Hydraulic Tank |
| 22 | 481507 | Insert, Filler Neck |
| 23 | 48829 | Control Block |
| 24 | 421203 | Clamp Plate |
| 25 | 461479 | Hydraulic Tank Assembly w/Fittings |
| 26 | 48603-06 | O-Ring, 9/16" |
| 27 | 482277 | Tee Fitting, O-Ring to Barb |
| 28 | 48136-13 | Clamp, .69" Max. / .25" Min. Dia. |
| 29 | 482571 | Bushing |
| 30 | 482572 | Elbow, 0.38" Hose |
| 31 | 48136-13 | Clamp |
| 32 | 483617 | Fuel Hose, 1/4" ID Non-Perm. |
| 33 | 423912 | Bracket Fuel Valve |
| 34 | 48059-01 | Clamp, Fuel Hose 1/4" Hose ID |
| 35 | 482212 | Valve, Fuel Shutoff |

| Ref. No. | Part No. | Description |
|----------|-----------|---|
| 36 | 48136-13 | Clamp, .69" Max. / .25" Min. Dia. |
| 37 | 482800-02 | Fitting, 9/16" O-Ring x 3/8" Hose |
| 38 | 04019-03 | Nut, Serr. Flange 5/16-18 |
| 39 | 04041-07 | Flatwasher, 3/8-.391 x .938 x .105" |
| 40 | 48462-01 | Oil Filter |
| 41 | 482798 | Filter Head Assembly |
| 42 | 482800-01 | Fitting, 3/4" O-Ring x 3/8" Hose |
| 43 | 48604-03 | Plug, 9/16-18 O-Ring |
| 44 | 482557 | Hose, Filter Inlet |
| 45 | 462163 | Fuel Tank RH |
| 46 | 483792 | Cap, Fuel Tank (incl. item #53) |
| 47 | 482571 | Tank Bushing |
| 48 | 483748 | Elbow, 90 Degree |
| 49 | 462162 | Fuel Tank LH |
| 50 | 48811 | Hose, 3/8" Pushlock 15" Long |
| 51 | 04001-17 | Bolt, Hex Head 5/16-18 x 2" |
| 52 | 04010-10 | Screw, 1/4-20 x 2" |
| 53 | 482774 | Gasket, Gas Tank Cap |
| 54 | ** | Fuel Filter |
| 55 | 482605 | Hose Assembly |
| 56 | 04001-11 | Bolt, Hex Head 5/16-18 x 1-1/2" |
| 57 | 482802 | Nipple, Oil Filter 1.0-12 UNF-2A x 1-1/4" |
| 58 | 48603-02 | O-Ring, 3/4" |
| 59 | 483190 | Wheel Motor, Hydro-Gear |

** Available through the individual engine manufacturer.

ELECTRICAL SYSTEM



STC 2008 ESKA

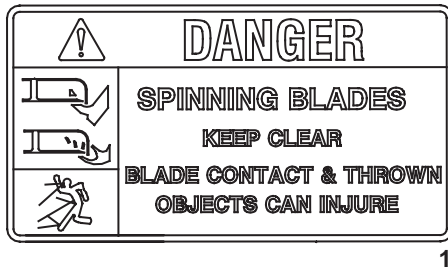
ELECTRICAL SYSTEM

| Ref. No. | Part No. | Description |
|----------|-----------|--|
| 1 | 483537 | Hourmeter |
| 2 | 48298 | Fuse, 20 amp |
| 3 | 483366 | Key, Ignition |
| | 462069 | Key Assembly w/Fob |
| 4 | 48017-04 | Nut, Hex 5/8-32 |
| 5 | 48017-03 | Lockwasher, 5/8" Internal |
| 6 | 461660 | Electric PTO Clutch GT3.5 |
| 7 | 48798 | Switch, Ignition |
| 8 | 483957 | Switch, PTO |
| 9 | 483013 | Relay |
| 10 | 04031-01 | Lockwasher, #10 External Tooth |
| 11 | 04020-01 | Nut, Hex #10-32 |
| 12 | 481637 | Switch, N/O |
| 13 | 461768 | Panel, Instrument |
| 14 | 482032 | Choke & Throttle Control - Kawasaki (Qty 2) |
| | 481544 | Choke Control - Kohler (Qty 1) |
| 15 | 482032 | Throttle Control - Kohler (Qty 1) |
| 16 | 481638 | Switch, Seat |
| 17 | 483029 | Module, Interlock |
| 18 | 04010-01 | Screw, #10-32 x .5" Phillips Head |
| 19 | 483665 | Battery, 350CCA (Not Available Through Scag) |
| 20 | 04001-44 | Bolt, Hex Head 1/4-20 x .5" |
| 21 | 04020-02 | Nut, Hex 1/4-20 |
| 22 | 48029-15 | Cable, Battery Black (negative) |
| 23 | 48029-12 | Cable, Battery Red (positive) |
| 24 | 483618 | Wiring Harness, Main |
| 25 | 483081 | Pulley, 5.45 OD x 1.125" Bore |
| 26 | 04021-10 | Nut, Elastic Stop 5/16-18 Key |
| 27 | 424112 | Mounting Bracket, Hour Meter |
| 28 | 04010-11 | Screw, #10-32 x 1.5" Phillips Head |
| 29 | 482543 | Adaptor, Wiring Harness (Kawasaki only) |
| | 482094 | Adaptor, Wiring Harness (Kohler only) |
| 30 | 04063-23 | Key, 1/4 x 1/4 x 3-1/4" |
| 31 | 04041-28 | Flatwasher, 7/16-.469 x 1-3/4" x 1/4" |
| 32 | 04030-05 | Lockwasher, 7/16" |
| 33 | 04001-101 | Bolt, Hex Head 7/16-20 x 2-1/2" UNF |
| 34 | 04010-12 | Screw, #10-32 x 3/4" |
| 35 | 04001-08 | Bolt, Hex Head 5/16-18 x 3/4" |
| 36 | 04030-03 | Lockwasher, 5/16" |
| 37 | 04040-15 | Flatwasher, 5/16-.375 x .875 x .083 |
| 38 | 423909 | Backing Plate |
| 39 | 481716 | Rubber Pad, Clutch Stop |
| 40 | 422534 | Plate, Backing |
| 41 | 48030-09 | Clamp |
| 42 | 483629 | Fuse Holder |
| 43 | 483571 | Cover, Sealed Double |
| 44 | 482588 | Clip, Wire |
| 45 | 483642 | Double Fuse Assembly, Sealed (Incl. items 2, 42, 43, 44) |

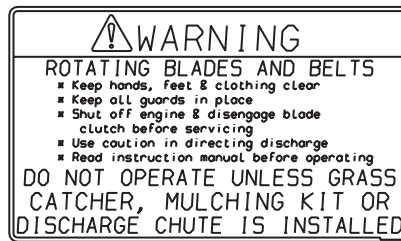
BDP-10A HYDRAULIC PUMP ASSEMBLY

| Ref. No. | Part No. | Description |
|----------|-----------------|---|
| 1 | HG 70516 | Housing Kit |
| 2 | HG 70573 | End Cap Kit |
| 3 | HG 50641 | Straight Headless Pin |
| 4 | HG 50969 | Hex Flange Bolt, M8-1.25 x 60mm |
| 5 | HG 51232 | Housing O-Ring |
| 6 | HG 2513027 | Charge Pump Kit |
| 7 | HG 50273 | Gerotor Assembly |
| 8 | HG 9004101-1340 | O-Ring |
| 9 | HG 50095 | Socket Head Screw, M6 x 1.0-20mm |
| 10 | HG 2513030 | Bypass Valve Kit |
| 11 | HG 70521 | Pumpshaft Kit |
| 12 | HG 50315 | Ball Bearing, 17 x 40 x 12mm |
| 13 | HG 51161 | Lip Seal |
| 14 | HG 50329 | Retaining Ring |
| 15 | HG 50951 | Spacer |
| 16 | HG 70331 | Cylinder Block Kit |
| 17 | HG 2003014 | Block Spring |
| 18 | HG 2003017 | Block Thrust Washer |
| 19 | HG 51444 | Valve Plate |
| 20 | HG 2003087 | Swash Plate |
| 21 | HG 50551 | Ball Thrust Bearing |
| 22 | HG 2003005 | Trunnion Arm |
| 23 | HG 2000015 | Slot Guide |
| 24 | HG 2510062 | Check Valve Kit (.024" Orifice) port "A" on Left Hand Pump, port "B" on Right Hand Pump |
| 25 | HG 70403 | Charge Relief Kit |
| 26 | HG 2513043 | Trunnion Seal with Retainer |
| 27 | HG 9005110-4400 | Straight Thread Plug |
| 28 | HG 50408 | Straight Headless Pin |
| 29 | HG 70525 | Overhaul Seal Kit |
| 30 | HG 70743 | System Check Relief Kit, port "B" on Left Hand Pump, port "A" on Right Hand Pump |

REPLACEMENT DECALS AND INFORMATION PLATES



1

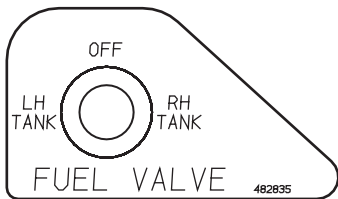


2



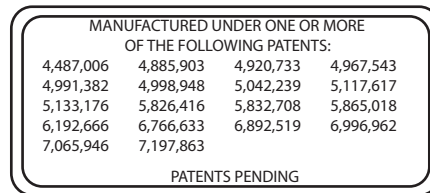
8

48404



11

482835



5



13

483838



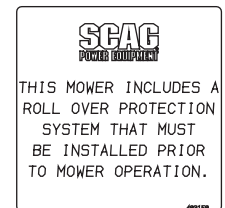
6

482100



7

481971



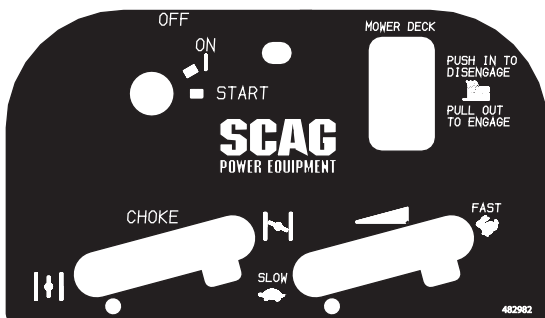
4

481198



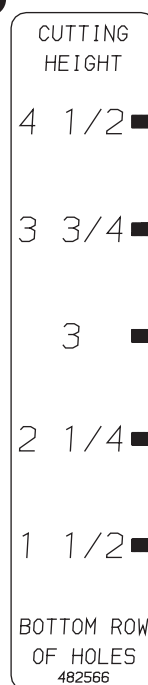
9

483402



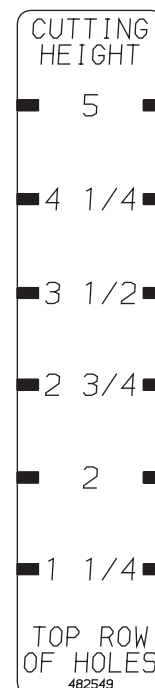
10

482982



12

482566



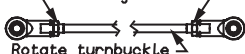
18

482549

REPLACEMENT DECALS AND INFORMATION PLATES

| Ref. No. | Part No. | Description |
|----------|----------|---|
| 1 | 483407 | Decal, Danger-Spinning Blades |
| 2 | 483406 | Decal, Warning-Rotating Blades |
| 3 | 483199 | Decal, 48V |
| | 483200 | Decal, 52V |
| | 483201 | Decal, 61V |
| 4 | 483158 | Decal, ROPS |
| 5 | 483044 | Decal, Patents |
| 6 | 482100 | Decal, Traction Control |
| 7 | 481971 | Decal, Heavy Duty Commercial |
| 8 | 48404 | Decal, Metalcraft - Made in USA |
| 9 | 483402 | Decal, Belt Cover |
| 10 | 482982 | Decal, Instrument Panel |
| 11 | 482835 | Decal, Fuel Valve Position |
| 12 | 482566 | Decal, Cutting Height Bottom Row of Holes |
| 13 | 483838 | Decal, Tiger Cat |
| 14 | 482709 | Decal, Seat Support |
| 15 | 483839 | Decal, Rear Bumper |
| 16 | 482166 | Decal, Front Footplate |
| 17 | 483405 | Decal, Discharge Chute |
| 18 | 482549 | Decal, Cutting Height Top Row of Holes |
| ** | 461983 | Spanish Decal Kit, STC / STWC (not shown) |

IMPORTANT ADJUSTMENT PROCEDURES
READ OPERATOR'S MANUAL FOR MORE DETAILS
 Check tire pressure - (Drive tires-12 psi)
 - (Caster tires-25 psi)

NEUTRAL ADJUSTMENT
 Loosen jam nuts

 Rotate turnbuckle

With an operator in the seat, engine running, control lever in neutral and the parking brake disengaged - adjust control linkage. Loosen jam nuts. If wheel rotates forward, adjust turnbuckle CW. If wheel rotates rearward, adjust turnbuckle CCH. Adjust until drive wheel stops turning. Tighten jam nuts. Repeat procedure until proper Neutral Adjustment is obtained.

TRACKING ADJUSTMENT
 If the machine pulls to the right, adjust LH control linkage CW to slow left wheel. If the machine pulls to the left adjust RH control linkage CW to slow right wheel. Readjust neutral if necessary.

FREE WHEEL OPERATION
 To move machine without running the engine, rotate both dump valves located at the LH side of the pumps CCH 1/2 turn to "freewheel" positions. Return dump valves to original position to operate the mower. Tighten to 7-10 ft.-lbs.

HYDRAULIC FLUID LEVEL
 Check hydraulic fluid level while fluid is cool. Fluid level should be 3" below top of filler neck. Fill with SAE 20W50 motor oil only.

IMPORTANT
 Do not overfill. Room for hot fluid expansion must be allowed or resulting expansion may cause leaks in the system.

482709

14



15



3

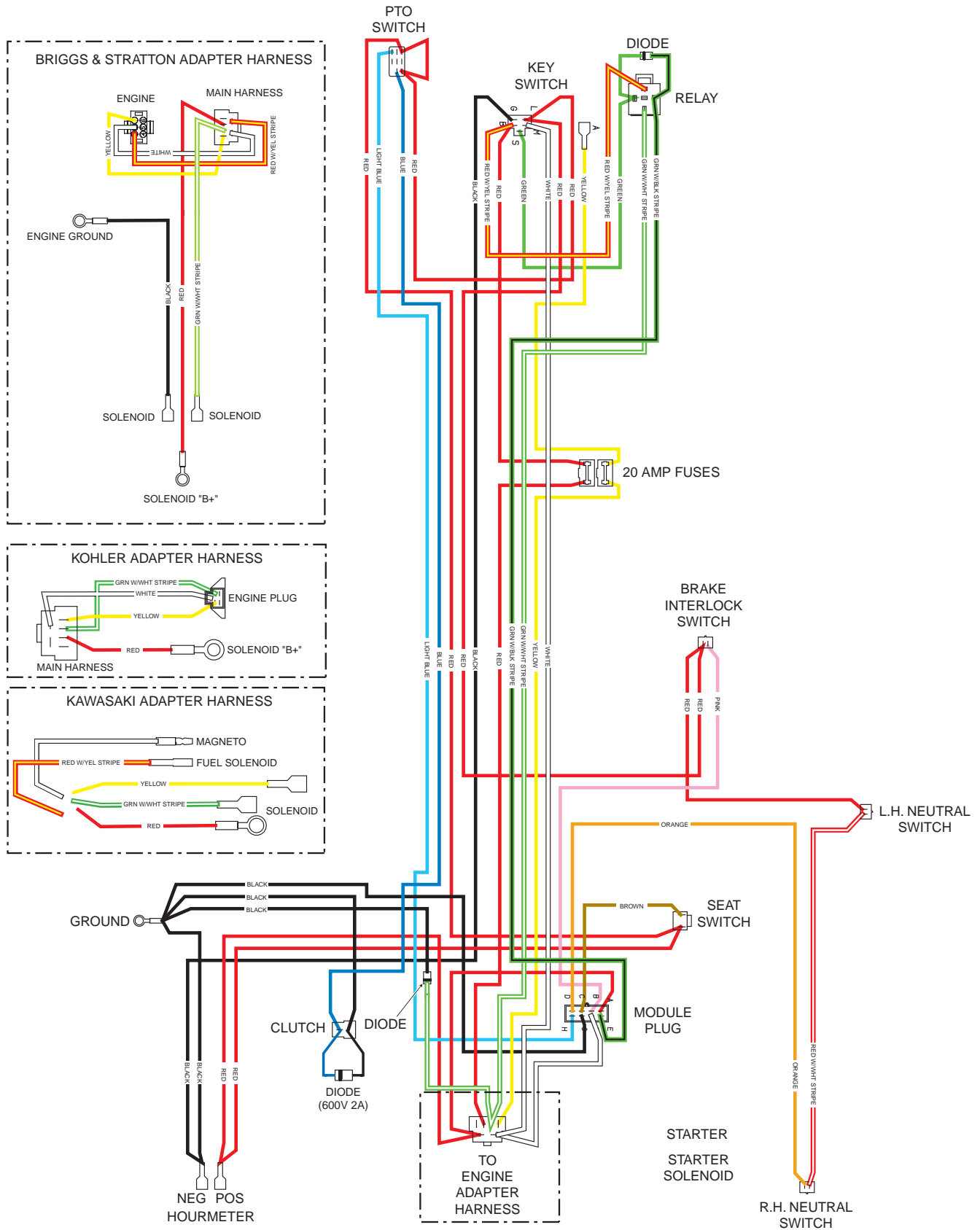


16



17

ELECTRICAL SCHEMATIC



2008 STC 26 ELS & 25CV Electrical Schematic